

RACER2

2 YEARS
WARRANTY

USER MANUAL



Nokta | MAKRO
DETECTION TECHNOLOGIES

**Authorized
R&D CENTER**

READ CAREFULLY BEFORE OPERATING THE DEVICE!

LEGAL DISCLAIMERS

Comply with the laws and regulations in force within the area while using the device. Do not use the device in protected or archeological sites and military zones. Notify any historical and cultural artifacts you find to the concerned authorities.

WARNINGS

RACER 2 is a state-of-the-art electronic device. Do not assemble or operate the device before reading the user manual.

Do not keep the device and search coil under extremely low and high temperatures for extended periods. (Storage Temperature: - 20°C to 60°C / - 4°F to 140°F)

Do not immerse the device and its accessories (except for the search coil) in water or keep them in excessively humid environments.

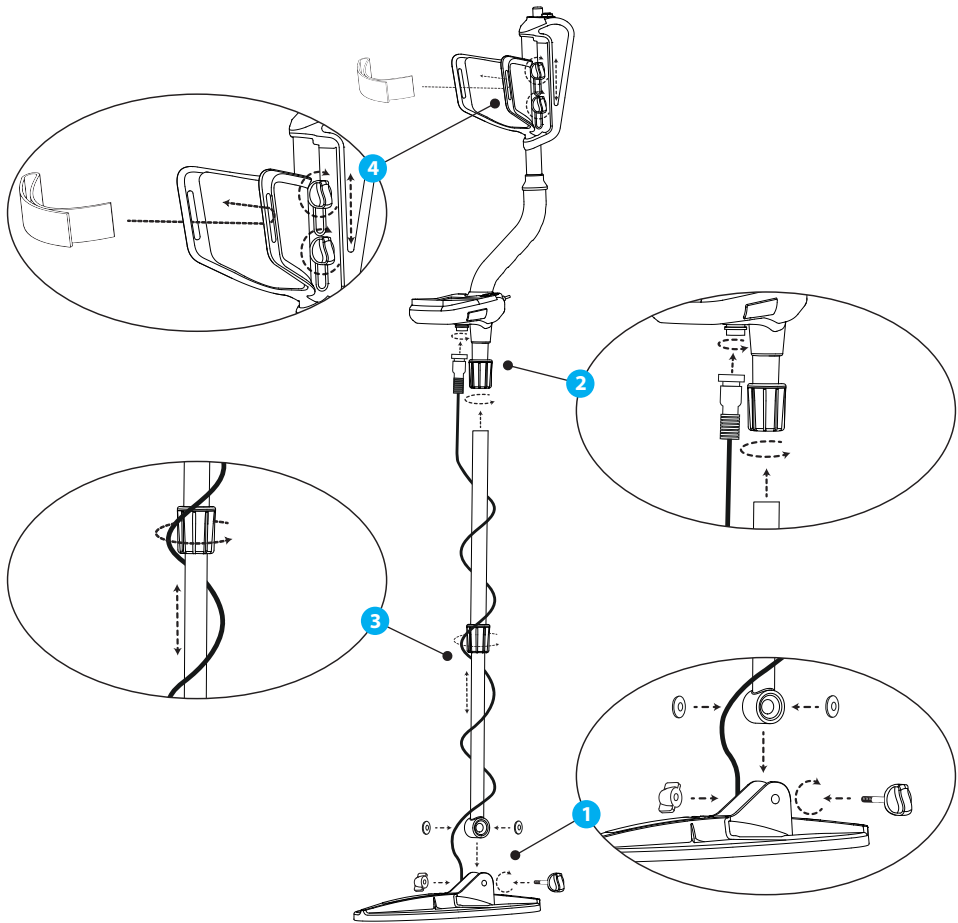
Protect the device against impacts that may occur during shipping in particular.

RACER 2 may only be disassembled and repaired by authorized service centers. Disassembling the device for any reason voids the warranty.

Table of Contents

Assembly.....	1
General Description of the Device.....	2
Battery Details.....	3
Display.....	4
Correct Use.....	5
Quick Guide.....	6
Menu.....	7-12
Modes.....	13-14
Ground Balance.....	15-18
Gain, iSAT and Threshold.....	18-19
Target ID and ID Filter	20-21
Pinpoint.....	22
Target Distance.....	23
Swinging Speed and Target Identification.....	23
Large or Near-Surface Targets.....	23
False Signals and Reasons.....	23
Magnetic Mineralization Indicator.....	24
Rocks and Searching in Rocky Terrains.....	24-25
Tracking and Effects of Rocks.....	25
Metals Under Rocks.....	25-26
Searching in Shallow Water and Beach.....	26
Messages.....	27
Technical Specifications.....	28

Assembly



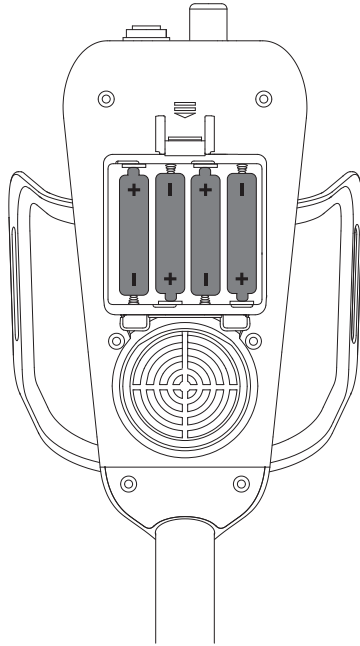
- 1** Insert the washers as shown on the telescopic shaft. Install the telescopic shaft to its location on the search coil. Secure by tightening the screw and nut.
- 2** Loosen the twist lock before mounting the telescopic shaft to the upper rod. Press down the pin and engage the pieces together and tighten the twist lock after the pin is clicked into the hole. Wind the cable of the search coil on the telescopic shaft without stretching too much. Plug the connector on the cable to the search coil input socket on the system box and secure by tightening the nut.
- 3** Loosen the twist lock of the telescopic shaft to extend or shorten it. Adjust the length of the shaft by keeping the pin located on the rear pressed down and clicking the pin in any of the holes. Secure by tightening the twist lock.
- 4** Insert the armrest band through its slot as shown in the figure. Loosen the screws and adjust the armrest position to your comfort by sliding it down or up and secure by tightening the screws.

General Description of the Device



- 1 Display showing all settings and information
- 2 Keypad for navigation among menu options and changing the device settings
- 3 Ground balance and pinpoint trigger
- 4 Speaker
- 5 Battery compartment cover
- 6 On /Off and volume adjustment button
- 7 Wired headphone jack
- 8 Search coil connector socket
- 9 LED flashlight

Battery Details



The device is supplied with 4 pieces of AA Alkaline batteries.

To remove the battery compartment cover, press on the latch and pull out. Insert the batteries observing correct polarity of + (plus) and - (minus).

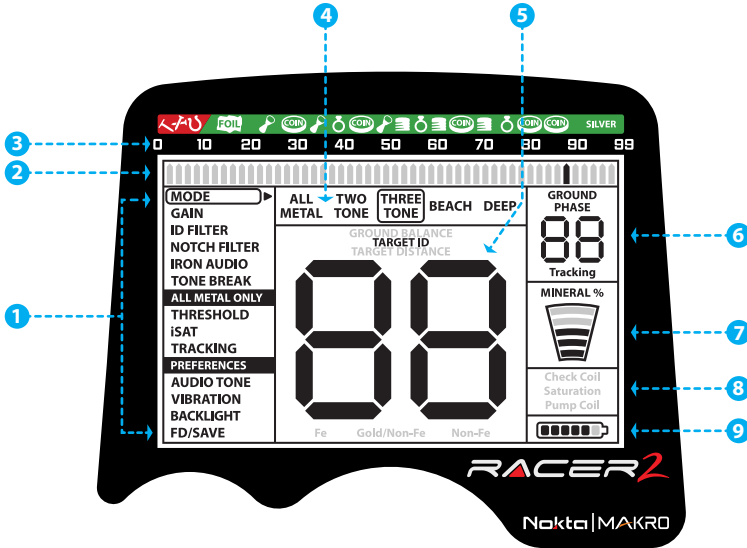
The device can be used for approximately 20-25 hours when the batteries are fully charged. Operating time of other brands and types of batteries available on the market may vary.

AA Alkaline batteries are recommended for the best performance. Good quality Ni-MH rechargeable batteries can be used, too. Rechargeable batteries with high mAh (capacity) ratings offer extended operating times than batteries with lower rating.

Low Battery Level

Battery icon on the display shows the battery life status. When the charge decreases, the bars inside the battery icon decrease, too. "Lo" message appears on the display when the batteries are depleted and the device shuts down after a short period.

Display



- 1 Menu providing access to all settings of the device
- 2 Cursor indicating the ID of the detected target and its position on the ID scale. It also indicates the IDs masked by ID FILTER and NOTCH FILTER as well as the tone breakpoints.
- 3 Target ID scale
- 4 Search mode indicator
- 5 Section which shows the TARGET ID during search, the ground balance value during ground balance adjustment and the estimated target depth during the pinpoint process. Also, the numeric value of any setting selected from the menu is displayed in this field.
- 6 Section which shows the fine tuning value during ground balance adjustment and current ground balance value during search. TRACKING on/off status is also shown in this section.
- 7 Magnetic mineralization indicator
- 8 Section which shows the warning messages
- 9 Battery level indicator

Correct Use

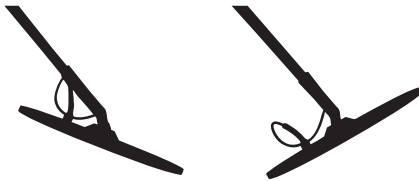
Incorrect Handling



Correct Handling



Incorrect Use



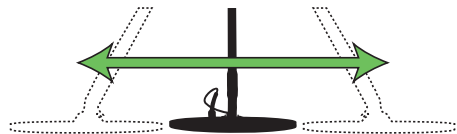
Correct Use



Incorrect Use



Correct Use



Quick Guide

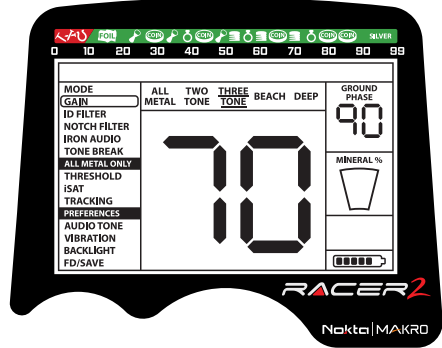
- 1 Assemble the device as per the instructions on page 1.
- 2 Insert the batteries by paying attention to +/- polarity.
- 3 Rotate the on/off switch located behind the device clockwise to turn on the device. This switch also adjusts the volume.
- 4 When the device is turned on, it will start in the Three Tone mode. You can change the mode based on the area that you are searching. For instance, if your search will be performed on wet beach sand, select the Beach mode.
- 5 To ground balance, push and hold the trigger forward and pump the search coil up and down 3cm (1.2") above the ground until a "beep" sound is heard.
- 6 You can increase the GAIN if needed. Increasing the gain will offer you greater depth. However, if the surroundings or the ground cause excessive noise in the device, you need to lower the gain setting.
- 7 Testing with various metals is useful for getting familiar with the sounds produced by the device.
- 8 Based on the IDs of the metals you don't want to detect, you can adjust the ID FILTER and ignore those metals. For instance, if you don't want to detect ferrous metals with 4 ID, you can set the ID FILTER to 5.
- 9 If you are detecting in a very trashy area and the device is getting too many iron signals, instead of ID FILTER you can use IRON AUDIO to lower or completely turn off the iron audio. This will provide more depth.
- 10 You can mask certain Target IDs using the NOTCH FILTER. For example, if you don't want to detect metals with IDs 31-32, you can simply block these IDs with NOTCH FILTER and enable the device to ignore these metals during searching.
- 11 If you wish, you can adjust the tone break points of the device with the TONE BREAK feature and change the frequency of the tones using the AUDIO TONE setting.
- 12 You can now start searching.
- 13 Since your device operates with the motion principle, swing the search coil right and left maintaining 5cm (2") distance above the ground. If the search coil does not move, the device will not provide any warning tones even if the coil is over a metal target.
- 14 When a target is detected, the ID of the target is displayed on the screen and the cursor indicates its position on the ID scale. The device also produces a warning tone based on the search mode selected.
- 15 Upon target detection, you can pinpoint the exact location of the target by pulling and holding the trigger back.

Menu

Select a setting from the menu by using the up/down buttons. The value of the selected setting is shown on the display. You can change the value by using the + and - buttons.

If up/down and +/- buttons are kept pressed for a certain period, options and values change more rapidly.

If no button is pressed for a while after selecting a setting or changing its value, the device automatically returns to the MODE option. Pulling the trigger enables you to return to the MODE option without waiting (except for Notch Filter, Tone Break and Audio Tone options).



NOTE: Certain settings are mode specific and thus cannot be selected in other modes. For details, please read the explanations about the settings carefully.

MODE

5 search modes adapted to different ground conditions and target types are offered by **RACER 2**. Names of the search modes are defined as ALL METAL, TWO TONE, THREE TONE, BEACH and DEEP on the menu screen. You can easily switch between the modes by using the direction keys during your search. The name of the selected mode is shown framed on screen. While in settings, the selection cursor appears on the selected setting and the current mode name is underlined. For more details, please read the MODES sections carefully. (page 13-14).

GAIN

It is the depth setting of the device. It is also used to eliminate the ambient electromagnetic signals from the surrounding environment and noise signals transmitted from ground.

Gain setting range is 01-99 and pre-defined for each mode. All modes start at default settings. They can be manually modified when necessary. Gain adjustment applies to the selected mode; the modified setting does not affect the gain setting of the other modes.

NOTE: In case of the coil overloading due to very high mineralization, decreasing the gain will overcome the situation.

For more details, please refer to GAIN, iSAT and THRESHOLD section.

ID FILTER

TARGET ID is the number produced by the metal detector based on the conductivity of the metals and gives an idea to the user about what the target may be. Target ID is shown with two digits on the display and ranges between 00-99.

Menu

ID FILTER is the ability of the device to ignore all metals below a certain TARGET ID. In the ID FILTER process, the filtered ID range is shown with lines on the ID scale and every 2 consecutive IDs are represented with 1 line. For example, if you set the ID FILTER to 30, 15 lines will be shown between the 0-30 ID range on the scale and the device will not produce a warning tone for any metals with IDs between 0-30.

ID FILTER cannot be used in the ALL METAL mode. It is pre-set for all the other modes. See TARGET ID and ID FILTER section for further information (page 19-20).

NOTCH FILTER

NOTCH FILTER is the ability of the device to discriminate single or multiple TARGET IDs.

Although NOTCH FILTER may seem similar to the ID FILTER at first glance, these two settings have different functions. While the ID FILTER filters out all IDs between 0 and the set value, the NOTCH FILTER filters IDs individually.

With the NOTCH FILTER you can reject a single ID or multiple IDs at the same time. This process does not affect any IDs below or above the selected IDs. For example, you can filter out IDs between 31-35 as well as 50 simultaneously.

HOW TO USE THE NOTCH FILTER:

When NOTCH FILTER is selected on the menu, first the current ID FILTER value is displayed on screen and the filtered ID range will be shown on the scale with lines. For example, if the ID FILTER is set to 15, when you select NOTCH FILTER, number 15 will be displayed on screen corresponding to 8 lines on the scale (every 2 consecutive IDs are represented with 1 line). NOTCH FILTER cannot be used within the ID FILTER range. In other words, if the ID FILTER is set to 15, NOTCH FILTER can only be applied to IDs 16 or higher. If you want to NOTCH FILTER IDs 15 or below, first you need to change the ID FILTER value.

The NOTCH FILTER rejects or accepts IDs with the help of the cursor at the top of the screen. To move the cursor on the scale, plus (+) and minus (-) buttons are used. The cursor blinks while it is moving on the scale. When you are on the first ID that you want to reject, pull and release the trigger once. This ID is now rejected and it is shown on the screen with a line. If you want to reject multiple IDs, continue to press the plus (+) or minus (-) button. If non-consecutive IDs want to be rejected, pull and release the switch once to have the cursor blink for navigation on the scale and repeat the process above. The cursor will appear where you left it at the next time you use the NOTCH FILTER.

To give an example; let's say you want to reject IDs between 20-25 and the cursor is at 10. Press the plus (+) button until you reach number 20. Then pull the trigger once and release. Number 20 will be marked with a line. When you reach number 25 using the (+) button again, IDs between 20-25 will be filtered out and they will be shown on the ID scale with 3 lines (every 2 consecutive IDs are represented with 1 line).

To accept back the filtered IDs, select NOTCH FILTER in the menu. The cursor will appear where you last left it at. Using the plus (+) or the minus (-) button, select the ID you want to accept and pull the trigger once. Then, using the plus (+) or minus (-) button again, unfilter the IDs back in. 1 line will be erased for every 2 consecutive IDs accepted.

Menu

NOTCH FILTER adjustment applies to the selected search mode only. The change does not affect the other modes. Since there is no discrimination in the ALL METAL mode, this setting is inactive in this mode.

IRON AUDIO

It adjusts or turns off the volume of the low iron tone.

IRON AUDIO range is 00-10. 10 is the maximum level. As you lower it, the volume of the warning tone the device produces for ferrous metals will decrease. At 00 level, the iron audio will be silenced. In other words, the device will detect ferrous targets, the Target ID will be displayed on the screen but the device will not produce any warning tone.

IRON AUDIO adjustment applies to the selected search mode only. The change does not affect the other modes.

Since there is no discrimination in the ALL METAL mode, this setting is inactive in this mode.

TONE BREAK

It is used to adjust the break points of the target response tones on the TARGET ID range. As the factory default, in TWO TONE, BEACH AND DEEP modes the device emits a low tone for ferrous metals (Fe) with target IDs equal to or less than 10 and a high tone for gold and non-ferrous metals (Gold/Non-Fe) with IDs 11-99. In the THREE TONE mode, the device emits a low grunt tone for ferrous metals with target IDs equal to or less than 10, a low tone for gold and non-ferrous metals with IDs 11-70 and a high tone for non-ferrous metals with IDs 71-99. By using the TONE BREAK feature, you can change the point where the low tone changes into the high tone.

To use the TONE BREAK, first select this setting in the menu. The names of the metal groups corresponding to the IDs mentioned above will appear at the bottom of the screen. The TONE BREAK point of the metal group will be shown on the screen and the cursor at the top will also point to it on the ID scale. In the THREE TONE mode, there are 2 break points (Fe and Gold/Non-Fe). To select either one, pull the trigger once and release and the selection will be framed. There is only one break point (Fe) in the other modes. To change the value of the break point, plus (+) or (minus) button is used.

To give an example for the above explanation; let's say you are in the THREE TONE mode and you want to change the TONE BREAK points. First, select TONE BREAK in the menu. Fe and Gold/Non-Fe will appear at the bottom of the screen and Fe will be framed. The default value of 10 will also be displayed on the screen. Using the plus (+) or the minus (-) button change this number to any value you want. Let's say you increased it to 40. Then, pull the trigger once to select the Gold/Non-Fe. Let's say you decreased the default value of 70 to 50. In this case, the device will produce a low, grunt iron tone for all metals with IDs equal to or less than 40, a low tone for metals with IDs 41-50 and a high tone for metals with IDs greater than 50.

TONE BREAK adjustment applies to the selected search mode only. The change does not affect the other modes.

Menu

ALL METAL ONLY

THRESHOLD

This setting is used to adjust the humming sound, referred to as the threshold sound, which is continuously heard in the background in the All Metal mode. It is used to increase the target signal, in other words, the depth of the device. For more details, please read Gain, Threshold and iSAT section.

iSAT

For the All Metal mode to perform accurately, a stable threshold sound is necessary. Changes in mineralization and soil structure may cause a rise or fall in the background hum and disrupt the threshold's stability which will result in losing signals of small metals. iSAT feature maintains the steadiness of the threshold by adjusting the speed the device recovers its threshold sound.

iSAT consists of 10 levels . The device will start at level 4. It is recommended that iSAT should be increased in high-mineralization and decreased in low mineralization. For more details, please read Gain, Threshold and iSAT section.

TRACKING

Although the Tracking feature appears under the ALL METAL mode settings, it is actually a common feature to all modes so when it is turned on, it becomes active in all modes. The reason it appears under the ALL METAL mode settings is that the use of tracking is recommended in the ALL METAL mode and not in the discrimination modes.

When tracking is active (01 position), the device continuously tracks the changing ground structures and automatically reconfigures the ground balance setting. The invisible changes in ground affects the detection depth as well as the discrimination ability of the device so it is possible to operate the device at higher performance using this feature under suitable ground conditions. Please refer to page 25 for more information on TRACKING.

When TRACKING is activated, "Tracking" will be displayed in the GROUND PHASE box at the upper right corner of the screen.

PREFERENCES

AUDIO TONE

Allows you to change the target warning tones and the threshold sound according to your preference. For each metal group (Fe, Gold/Non-Fe, Non-Fe) the frequency can be adjusted between 100 Hz (10) and 700 Hz (70).

When AUDIO TONE is selected in the menu, names of the metal groups mentioned above will appear at the bottom of the screen and the selected one will be framed. To select another group, just pull the trigger once. Then use the plus (+) or the minus (-) button to change the frequency.

Menu

AUDIO TONE adjustment applies to the selected search mode only. The change does not affect the other modes.

VIBRATION

This feature provides feedback to the user by producing a vibration effect when a target is detected. It can be used independently or together with the warning tone. When warning tone is disabled all feedbacks are provided to the user as vibration only during target detection.

Vibration setting is adjusted within the range of 00-05. When it is switched to 0, vibration feature is completely disabled. If the vibration is at 01 level, the device provides long vibration signals and at 05 it provides short vibration signals. The magnitude of the vibration effect can vary according to the depth of the target and the swinging speed. This setting is common in all search modes; change made in any mode also applies to the other modes.

Vibration is not felt in the All Metal mode with weak signals; it will be felt as the signal gets stronger. In other words, vibration does not start at the depth that warning tones are heard but at a lesser depth. Therefore, if you perform search only with vibration and warning tones of the device are off, you can miss weaker and deeper signals.

Vibration speed is constant in the pinpoint mode and cannot be adjusted. Vibration is off at 0 position. 01-05 values provide the same level of vibration in the pinpoint mode. When vibration is used in the pinpoint mode, vibration speed increases as the target is approached and it reaches the maximum level over the center of the target.

BACKLIGHT

It enables you to adjust the keypad and display backlight level according to your personal preferences. It ranges between 0-5 and C1-C5. At 0 level, the keypad and display backlight are off. When set between 1-5, it lights up only for a short period of time when a target is detected or while navigating the menu and then it goes off. At C1-C5 levels, it will light up constantly. As the constant operation of the backlight will affect power consumption, it is not recommended.

The backlight setting is restored to the final saved setting when the device is turned off and on again. This setting is common in all modes; change made in any mode also applies to the other modes.

Factory Default /Save (FD/Save)

With the FD/Save feature of the **RACER 2**, you can save your settings or restore factory defaults. Save function saves all settings except for the ground balance and tracking. The device starts in the last mode where the save function was performed. For example, you changed the settings of both the All Metal mode and the Deep Mode and you saved the settings while in the Deep mode. Your device will start in the Deep mode upon next start up.

To save your settings, select FD/Save on screen. SA will be displayed. To confirm, pull the trigger once and release. SA will stay on screen for a short period of time and it will disappear when saving is completed.

Menu

To restore factory defaults, select FD/Save on screen and press the minus (-) button. FD will be displayed. To confirm, pull the trigger once and release. FD will stay on screen for a short period of time and it will disappear when the process is completed.

Other Settings Not Shown on Screen

FREQ. SHIFT

It is the setting which enables you to change the operating frequency of the device. It is used to eliminate the electromagnetic signals that the device receives from another detector which operates in the same frequency range nearby or from the surroundings. If too much noise is received when the search coil is lifted in the air, this may be caused by the surrounding electromagnetic signals or too much sensitivity. In this case, first reduce the GAIN. If the noise is not eliminated, you can choose to shift the frequency. The device offers 5 different frequencies. Default setting is frequency 03.

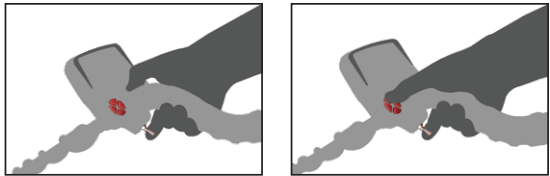
To shift the frequency, keeping the trigger pulled back, simply press the plus (+) or the minus (-) button.

IMPORTANT! Frequency shift may impair performance. Therefore, it is suggested that you do not shift the frequency unless it is required and operate it with the default settings.

LED Flashlight

It is the light used for lighting the scanned area while performing search at night or dark locations. LED flashlight does not operate when the device is off. It is recommended to turn it on when necessary since its operation consumes battery charge.

Keeping the trigger pulled back, press the up button once to activate the LED flashlight. Repeat the same procedure to turn it off.



MODES

All Metal

It is the deepest mode of the device. Different than the other modes, this mode features a threshold tone which is continuously heard in the background.

The device does not discriminate targets while in the All Metal mode and detects all targets (metal, mineralized rocks etc.). ID of the detected target is shown on the display (except for negative hot rocks) and the same warning tone is provided for all targets. The warning tone increases in pitch as the coil approaches the target.

Gain, threshold and iSAT settings in this mode are set to default values which provide the best performance on different terrains. You can modify these settings based on ground conditions.

ID FILTER, NOTCH FILTER, IRON AUDIO AND TONE BREAK features not active in the All Metal mode. Therefore, these settings cannot be selected in the menu.

We recommend using the All Metal mode when discrimination is not important and not using it in heavy trash areas or areas containing many hot rocks.

Discrimination Modes (Two Tone, Three Tone, Beach, Deep)

Different than the All Metal mode, these modes do not have a background sound. The device only provides a warning tone when a target is detected. A crackling noise can be heard if gain is not at the right level in these modes. Therefore, the gain adjustment in these modes should be performed in a location without metals and when the device is silent.

Some of the features of the discrimination modes are similar, however, there are minor behavioral differences between them. ID FILTER, NOTCH FILTER, IRON AUDIO and TONE BREAK are frequently used common features in these modes. ID FILTER value is preset by the factory for these modes. You can modify these settings if you want according to the soil conditions where you are searching.

Two Tone Mode

It is the deepest mode after the DEEP mode among the discrimination modes. It is recommended especially for relic and coin hunting. It produces good results particularly on clean sites which do not contain waste metal. More depth can be obtained on sites which are rocky or contain waste metals by using the ID FILTER and NOTCH FILTER features and swinging the search coil more slowly (one right/left pass per approximately 1 second). ID FILTER value is set to 03 as a default value. You can modify this value according to the ID of the target you don't want to detect.

In the Two Tone mode, the device produces a low tone for ferrous targets with IDs between 0-10. For gold/non-ferrous targets with IDs 11-99, it produces a high tone which increases in pitch as the coil approaches the target. By using the TONE BREAK feature, you can adjust the break points of the target response tones on the TARGET ID range.

It is recommended that you perform tests with mineral rocks and different metals before using the device in the field in order to get familiar with the warning tones of the device.

MODES

Three Tone Mode

This is the 3-tone discrimination mode designed for coin hunting especially in trashy sites. In this mode, the device produces a low, grunt tone for ferrous targets with 0-10 IDs, a low tone for gold and non-ferrous metals with IDs 11-70 and a high tone for non-ferrous metals with IDs 71-99 such as silver, brass and copper. By using the TONE BREAK feature, you can adjust the break points of the target response tones on the TARGET ID range. This mode is ideal to use in fields with different types of metals enabling you to search faster with audio discrimination.

You can search without detecting unwanted targets in this mode by using the ID FILTER and NOTCH FILTER feature as in the Two Tone mode. ID FILTER value is set to 03 as a default value. It is recommended to modify this value according to the type of target.

Beach Mode

It is the special mode of **RACER 2** developed for conductive grounds (wet sand beach, grounds with alkali soil etc.). The feature of this mode is its ability to ignore iron and similar targets in this group and to perform ground balance on any type of ground. While the device performs ground balance in the range of 40-90 automatically in the other discrimination modes, the device ground balances in the range of 0-90 in this mode. This enables easier ground balancing on conductive grounds where normally ground balance cannot be performed at all or performed with difficulty.

As in the Two Tone mode, the device produces a low tone for ferrous targets with IDs between 0-10. For gold/non-ferrous targets with IDs 11-99, it produces a high tone. By using the TONE BREAK feature, you can adjust the break points of the target response tones on the TARGET ID range.

Different than the other modes, the ID FILTER value is set to 10 as a default value in this mode in order to ignore ferrous metals or ground noise.

Salt water and alkali grounds are significantly conductive due to high ionization and cause effects similar to that of iron in detectors. These effects may make it impossible to search for metals with a standard detector. Existence of iron elimination feature in a detector can improve the situation but may not be sufficient.

RACER 2's Beach mode eliminates such effects and ground noise. Aspects to be taken into consideration while searching on conductive grounds are explained in more detail in the section titled Searching in Shallow Water and Beach (page 26).

Deep Mode (DEEP)

Recommended especially for relic hunting, this mode is the deepest among discrimination modes. Different than the other discrimination modes, this mode requires a slower swing speed. DEEP mode is similar to Two Tone in characteristics but offers a slower detection speed.

You can search without detecting unwanted targets in this mode by using the ID FILTER and NOTCH FILTER feature as in the Two Tone mode. ID FILTER value is set to 03 as a default value. It is recommended to modify this value according to the type of target.

As in the Two Tone mode, the device produces a low tone for ferrous targets with IDs between 0-10. For gold/non-ferrous targets with IDs 11-99, it produces a high tone. By using the TONE BREAK feature, you can adjust the break points of the target response tones on the TARGET ID range.

Ground Balance

Manual Ground Balance

Allows you to manually modify the ground balance value. It is not preferred mostly because it takes time. However, it is the preferred option in cases where a successful ground balance cannot be performed using other methods or minor corrections are required to the automatic balance.

RACER 2 is designed to allow for automatic ground balancing conveniently on any type of ground. Therefore, it is recommended to perform automatic ground balance upon start up. However, the ground may not be suitable for automatic ground balancing in some cases and the device cannot ground balance on such grounds (Except for the beach mode). For instance, wet beach sand, soils containing alkali or salty water, lands with high waste metal content, ploughed fields, high mineralized grounds and grounds with very low mineralization are not suitable for automatic ground balance. We recommend manual ground balancing for making it easier to search in such areas. Manual ground balance requires a skill which develops over time through practice.

For performing manual ground balance:

1. Find a spot without metals and switch the device to the All Metal mode.
2. You need to listen to the sounds coming from the ground in order to perform manual ground balance. Pump the search coil up and down from about 15-20 cm (~6"- 8") above the ground down to 3 cm (~1") off the ground with smooth movements and keeping it parallel to the ground.

If the sound gets higher when lifting off the search coil above the ground, the ground balance value is too low, in other words, the effect from the ground is negative and the ground balance value needs to be increased by using the (+) button. On the other hand, if the sound gets higher when lowering the search coil to the ground, the ground balance value is too high, in other words, the effect from the ground is positive and the ground balance value needs to be decreased by using the (-) button.

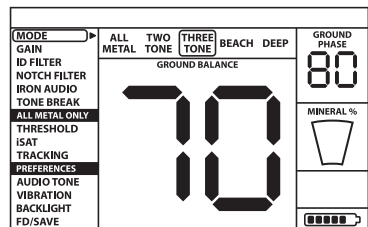
3. Push the ground balance trigger forward once and release it. The ground balance value will be shown on the display and remain there for a moment. You can return to the ground balance screen by pushing the ground balance trigger forward if the screen switches.

Manual ground balance functions within the range of 0-99. However, each value covers 5 steps used for fine tuning within itself and these steps are indicated as multiples of 20 in the Ground Phase indicator shown on the display. For example, ground balance value shown on the side is 70.80.

Press (+) and (-) to increase and decrease the ground balance value, respectively. If the key is pressed once at a time, the values count one by one and if kept pressed down, they change quickly.

4. Repeat the above procedure until the sound heard from the ground is eliminated.

The sound may not be eliminated completely in some areas. In these cases, listen to the sounds produced when moving the search coil towards and away from the ground to check if the ground balance is correct. If there is no difference between the two sounds then the ground balance is set properly.



Ground Balance

The device will return to the main screen automatically after a moment upon completion of ground balance. To return immediately, just pull and release the trigger once.

IMPORTANT! Experienced detectorists adjust the ground balance setting to little positive response (weak but audible sound is produced when moving the search coil closer to ground). This method may produce favorable results for experienced users in certain fields where small targets are searched for.

TRACKING

In this option, the user does not need to make any adjustments. TRACKING feature is activated from the menu by switching it to 01 position. The word "Tracking" is displayed in the GROUND PHASE box at the upper right corner of the screen. The device updates the ground balance automatically as long as the search coil is swung over the ground and shows the ground balance value in the GROUND PHASE window. It does not provide any feedback to the user (like ground balance value or a beep sound in automatic ground balance).

While TRACKING is active, the device can initially produce a loud signal when it detects a different ground structure (for instance a mineral rock) or a target. In this case, swing the search coil over the spot where the device produces the signal. If the sound remains the same and the device shows an ID, it is possibly a target. If the sound attenuates too much or is lost after a few swings, it means that the device has produced a signal for the different ground structure or a stone.

It is recommended that you use TRACKING in the All Metal mode and not in the discrimination modes (Two Tone, Three Tone, Beach and Deep) for the best performance.

TRACKING is suitable for use in areas where different soil structures are present within the same land or in fields where mineral rocks are scattered widely apart. If you use Ground Tracking in areas where hot rocks are intensely present, the device may not be able to eliminate these high mineralized rocks or you may miss the smaller or deeper metals.

IMPORTANT! Ensure that TRACKING is off during air tests. Otherwise, the device attempts to perform ground balance on the target and the depth is reduced.

Ground Balance Value

Ground balance value provides information about the ground you are searching on. Some typical ground types are as follows:

- 0-25 Wet salt water or wet alkali soils
- 25-50 Wet salt water and wet alkali soils covered with dry layers
- 50-70 Regular, low-quality soils
- 70-90 Highly magnetic soils, magnetite or maghemite and similar highly mineralized soils, black sand

Ground Balance

Important Details Concerning Ground Balance

- 1) Upon start up, the ground balance value is set as 90. The device can perform ground balance automatically within the range of 40-90 in all modes and 0-90 in the Beach mode.
- 2) If the ground mineralization is too low, automatic ground balance may fail to work in other modes except for the Beach mode. Try manual ground balance in such a case.
- 3) You can test the accuracy of the ground balance with the pinpoint mode. After ground balancing, if you receive no sound or a weak one when you move the search coil closer to the ground in the pinpoint mode, then the ground balance is successful. If the sound gets louder when you move the search coil closer to the ground, then the ground balance is not successful. In this case, simply change your location. If ground balance is not possible despite these efforts, you should continue your search without performing ground balance.

In order to search without ground balancing, restart the device . If you hear a sound when you swing the search coil over the ground, switch the device to Three Tone, Two Tone or Deep mode (also adjust the gain) or if you are on a beach, switch to Beach mode. Continue searching after increasing the ID FILTER value as much as required to eliminate the sound. Since the ID FILTER is not active in the All Metal mode, you cannot perform a search if you can't reduce the sound.

- 4) Once the ground balance is set, it will remain satisfactory for a long time in most areas. However, if you encounter an excavated, backfilled or geologically composite soil structure, a ground balance should be performed again to adapt to the varying soil structure.
- 5) When using the optional large coil, pump the coil more slowly and do not keep it very close to the ground.
- 6) In some cases where the iSAT value is set high, the device may not be able to ground balance automatically. In such a case, first lower the iSAT and after ground balancing switch it back to its previous position.

Gain, iSAT and Threshold

Adjustment of these three settings is critical for a noise-free and high performance operation of the device. It is possible to obtain an average performance with the default settings. However, these settings need to be adjusted in order to perform deeper searches as ground and surrounding conditions allow or to perform search under challenging conditions.

Gain, iSAT and Threshold in All Metal Mode

In the All Metal mode, search is performed with a continuous humming sound in the background, also referred to as the threshold sound. The loudness of this hum directly impacts the detection depth of smaller and deeper targets and it is adjusted by the threshold setting. If the threshold is set too high, the target signal may not be heard. On the contrary, if it is too low, you give up the depth advantage this setting offers. In other words, weak signals of smaller or deeper targets may be missed.

Gain, iSAT and Threshold

It is recommended for average users to leave this setting at its default value and for experienced users to adjust to the highest level where they can still hear the weak target signals.

You cannot search in the All Metal mode without ground balancing. Changes that occur in the ground effect after ground balancing cause false signals or disruption in the threshold hum. iSAT adjusts the speed that the device recovers its threshold hum and eliminates the negative effects of mineralized soils. Increasing the iSAT in high mineralization will enable a more stable operation by avoiding false signals. This, however, may cause some loss in depth and it is normal.

NOTE: In high mineralization, if you receive too many false signals without disruption in the threshold hum, lower the gain first before increasing the iSAT. If the false signals continue, set the gain back to its original value and increase the iSAT.

If the mineralization is low, you can decrease the iSAT and sweep the coil more slowly for a deeper search.

In the All Metal mode, although the gain setting seems like it is behaving similarly to the threshold, it actually causes an increase or decrease in the popping sounds and false signals. It is important to set the gain setting to the highest level possible where no major popping sounds are heard. For example; if the noise level is suitable for searching and is the same at gain levels 40 and 70, then 70 should be preferred. Using the factory default levels will be a good starting point until you get familiar and experienced with the device.

If the device is stable but too noisy, the threshold setting should be decreased. However, if it sounds erratic and there is too much popping, the gain setting should be lowered. If the noise continues, the gain should be set back to its original setting and iSAT should be adjusted.

Gain in Discrimination Modes

Since the threshold setting is not available in the discrimination modes, you can increase the depth of the device or ensure noise-free operation on different grounds only by using the gain setting.

In order to adjust the gain in the discrimination modes, first ground balance while the gain is at its default setting. After ground balance is completed, hold the search coil still or swing over the ground at search height. Reduce the gain if device receives noise. If not (ensure that the ID FILTER is also at its default settings when checking this), increase the gain gradually until there is no popping sound. If the device starts to receive noise during searching, reduce the gain gradually.

NOTE: If the ground is highly mineralized causing the coil to overload, decrease the gain until the "Saturation" message disappears from the screen.

Target ID and ID Filtering

As explained before, target ID is a 2 digit number defining the target, produced by the metal detector while the search coil goes over a target. The number is shown on the display as TARGET ID.

In some cases, the device may produce multiple IDs for the same target. This may result from a couple of factors. Target orientation, depth, purity of the metal, corrosion, mineralization level of the soil etc. Direction of the search coil swing may even cause the device to generate multiple IDs.

In some cases the device may fail to provide any ID. The device needs to receive a strong and a clear signal from the target in order to provide an ID. Therefore, it may not be able to provide an ID for targets which are too deep or too small even if the device detects them.

Keep in mind that target IDs are “probable”, in other words, estimated values and it would not be possible to know the properties of a buried object exactly until it is dug out.

IDs of non-ferrous metals such as copper, silver, aluminum and lead are high. Target ID range of gold is wide and may fall within the same range of metal wastes such as iron, foil, screw caps, and pull tabs. Therefore, if you are looking for gold targets, digging out some trash metals is expected.

Some possible Target IDs and their ranges are indicated in the table below.

USA Modern Coins

US 1 cent (copper penny).....	: 79
US 1 cent (zinc penny).....	: 65-66
US 10 cent (dime).....	: 79
US 5 cent (nickel).....	: 30-31
US 25 cent (quarter).....	: 85-86

European Modern Coins

2 Euro Cent.....	: 04
10 Euro Cent.....	: 61
20 Euro Cent.....	: 66
50 Euro Cent.....	: 70
1 EURO.....	: 67
2 EURO.....	: 49

Non-ferrous Metals

Gold and gold coins.....	: 38-55
Silver and lead.....	: 91-96
Brass and copper.....	: 80-88
Aluminum.....	: 93-97

Waste Metals

Iron, screws, nuts, nails.....	: 00-10
Foil.....	: 14-16, 69-78
Pull-tabs.....	: 25-50
Bottle caps.....	: 52-71

Rocks and Mineralized Soils

Magnetized rocks.....	: 00-02/97-99
Iron rocks.....	: 00-10
Salty and alkali soils.....	: 06-08

Above data may vary according to the field conditions. Coins searched throughout the world are made of different metals and in different sizes in different geographical locations and historical eras. Therefore, in order to learn the Target IDs of the coins in a specific region, it is suggested to perform a test with the samples of such coins, if possible.

Target ID and ID Filtering

It may take some time and experience to utilize the Target ID feature in your search area because Target IDs as well as the depths the IDs are generated by different brands and models of detectors are also different.

As indicated before, ID FILTER feature is the ability of the device to perform search without producing warning tones for unwanted metals. ID FILTER feature is not active in the All Metal mode. ID FILTER values of discrimination modes are preset. Users may modify the ID FILTER values from the menu anytime.

In order to change the ID FILTER value, select the ID FILTER option from the menu and decrease or increase the value using the + or - buttons. Please remember that you can miss certain metals, other than the ones you want to ignore, or signals may become weaker when performing this action.

For instance, when you set the ID FILTER to 40, the device will ignore all reflected signals with an ID lower than 40 and will not provide a warning tone. In the case that the ID of a target under a rock is reflected under 40, the device will not detect the target.

To give another example, in the case of receiving multiple IDs - let's say 35 and 55 - due to target orientation or metal property, if you filter the IDs up to 40, 35 will fall in the filtered range so the signal strength may diminish and depth may decrease.

Pinpoint

Pinpoint is to find the center or the exact location of a detected target.

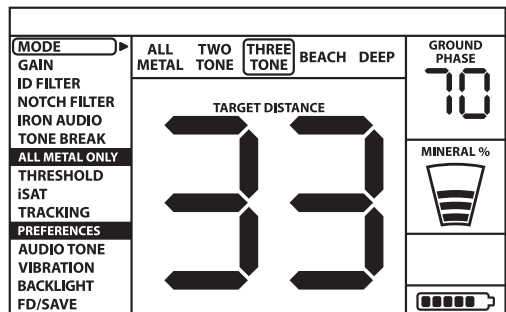
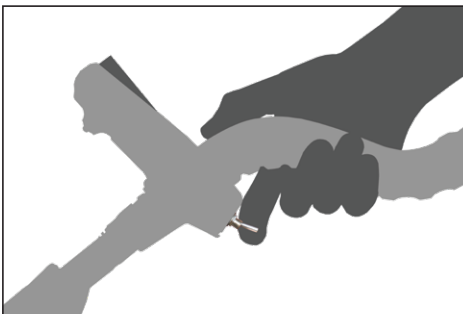
RACER 2 is a motion detector, in other words, you are required to move the search coil over the target or the target over the search coil in order for the device to detect the target. The pinpoint mode is a non-motion mode. The device continues to give a signal when the search coil is kept still over the target, too.

Ground balance should be performed properly in order to ensure precision of pinpointing. It is recommended to perform ground balance again before performing pinpoint operation on changing ground structures.

In the pinpoint mode, estimated target distance information is shown on the display. In the pinpoint mode, the signal tone increases in pitch and volume as the search coil approaches the target. In this mode, the device does not discriminate or give target IDs. If the device is in the vibration mode, the speed of vibration will increase as you get closer to the center of target.

To perform pinpoint:

1. After a target is detected, move the search coil aside where there is no target response and pull the trigger back.
2. Keep the trigger pulled and bring the search coil closer to the target slowly and parallel to the ground.
3. Signal sound becomes stronger and changes in pitch while getting closer to the target center and also the number indicating target distance on the display decreases.
4. Mark the position which provides the loudest sound using a tool or your foot.
5. Repeat the above procedure by changing your direction 90°. Actions to be performed from a couple of different directions will narrow the target area and provide you with the most exact details of the target position.



Target Distance

The device provides an estimated target distance according to the signal strength. In the pinpoint mode, estimated target distance is shown on the display in cms (or inches - please see below for details) while getting closer to the target.

Distance detection is adjusted presuming that the target is a 2.5cm (1") coin. Actual distance varies according to the size of the target. For instance, it will indicate more distance for a target smaller than a 2.5cm (1") coin and less distance for a larger target. Pinpoint procedure is not intended for depth determination but location determination. Therefore, it is recommended that the distance indicator on the display is used for determining the proximity to the target.

IMPORTANT! If you want the target distance to be displayed in inches instead of cms please do the following: While the device is off, press and hold the plus (+) and minus (-) buttons simultaneously and turn the device on. "US" will be displayed. To switch back to cms, you need to turn the device off and then repeat the above procedure. While the device is initializing, "IS" will be displayed.

Swinging Speed and Target Identification

RACER 2 is a detector with very high detecting speed. When you detect a target with **RACER 2**, you should make wider passes instead of narrowing the sweeps and making quick sweeps over the target like in other metal detectors, in order to receive an accurate ID from the target. If your swinging speed is not correct, the device may not detect the target accurately and the target ID numbers may bounce. Also, do not tilt the coil up or down while swinging and keep it parallel to the ground.

Large or Near-Surface Targets

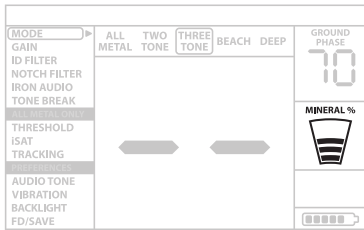
Targets which are near the surface may give multiple different signals to the device. If you suspect a target near the surface, lift the search coil and swing it more slowly until a single signal is received. Also, if there is a large target near the surface it may cause an overload in the search coil and the device starts to generate a continuous sound which resembles a siren. "Saturation" message is shown on the display simultaneously. In such a case, lift the search coil up until the message disappears.

False Signals and Reasons

Sometimes, the device may produce signals which are similar to a target signal although no metal target is present. There are various reasons for the false signals received by the device. The most common ones are ground mineralization or rocks with high mineral content, surrounding electromagnetic signals, operation of another nearby detector, rusted or corroded iron or foil in the soil, gain or threshold values set too high.

Surrounding electromagnetic signals can be eliminated by reducing the gain. If another detector is operating nearby, you may attempt to change the frequency or perform your search at a distance where no interference occurs. For ground mineralization or rocks with high mineral content, and gain and threshold set too high, please read the related sections (Ground Balance, Rocks and Searching in Rocky Terrains, Metals Under Rocks, Gain and Threshold).

Magnetic Mineralization Indicator



The Magnetic Mineralization Indicator consists of 5 levels. The indicator is shown empty at low mineral levels during search and at start up. In areas where the magnetic mineral level is high, the indicator level increases according to the intensity. This measurement can be summarized as the level of magnetic property and intensity of the ground. Simply, if you are working in an area which contains intense and magnetized minerals, the level will be high. If you are working on a less intense ground, the level will be low.

This measurement is important from two aspects. First, on grounds with high magnetic mineralization, search depth is low and users should be aware of this fact. Second, magnetic mineralization is a property which is particularly seen with mineralized rocks and this measurement plays an important role for the device to eliminate the false signals produced by these rocks.

Rocks and Searching in Rocky Terrains

Challenging ground conditions arise especially when conductivity and magnetic properties of the ground is too intense. Operation of the device over such ground is made possible by selecting the best operating mode and using proper ground balance, gain and threshold settings.

Stones and rocks or cavities inside the ground are as important as the ground itself in regards to the search and target detection quality.

Soil and rocks have two different properties just like the targets you are searching for. One of them is the intensity and the other one is the conductivity - magnetic permeability ratio and these two properties are independent from each other. In this manual, the conductivity - magnetic permeability ratio will be referred to as ID in short. High magnetic permeability, low conductivity results in low ID. Soil or rocks can be highly permeable and have low or high IDs as well. If the conductivity increases relatively to magnetic permeability then the ID will also increase.

Hot rocks are classified as negative or positive based on their ID being low or high in comparison to the ID of the soil they are in. One or both of the types may be present in a field. The negative and positive effects mentioned here will only be valid if ground balancing is properly done on the existing ground. Otherwise, soil itself will not act differently from hot rocks in terms of ID. In "TRACKING" however, conditions will differ. Therefore, the effects of rocks in "TRACKING" will be discussed separately. Here we are referring to a proper ground balance without "TRACKING".

Positive rocks act just like metal and produce a metal sound. In the All Metal mode they produce a "zip zip" sound when the search coil is moved over them. If the signal is strong enough, the device may produce an ID for these rocks. Negative rocks in the All Metal mode, produce a long "boing" sound when the search coil is moved over them. The device does not give an ID for these rocks even if the signal is strong.

Positive rocks provide a typical metal sound in discrimination modes. Negative rocks do not provide a sound in discrimination modes (except for rare cases of false signals).

At higher settings of iSAT, there will be no change in the sounds of positive or negative hot rocks. As the iSAT value is decreased, the sound of positive hot rocks will remain the same but the negative hot rocks may give a thinner beep sound instead of the boing sound.

Therefore, you can make a decision by listening to the warning tones produced by the device in the field. If you receive a metal sound, it means that you either detected a positive rock or a piece of metal. If you receive a strong signal and a stable ID, you can distinguish if the detected target is a rock or metal by checking the ID. However, remember that weak signals may produce different IDs and metals under rocks may produce different metal signals. Therefore, the most appropriate action is to dig up when a metal signal is received.

If you are operating with discrimination modes and you know the ID of the surrounding rocks, you can use the ID filtering to eliminate the rocks. However, this may not be sufficient to avoid all rock signals. The device may still receive signals from rocks because soil and rocks together will form a combined effect and generate a different ID than those of rocks.

Tracking and Effects of Rocks

When the tracking is active, the device may give a warning tone and ID when it passes over a hot rock because the effect of the rock will be different than the ground's. If you swing the search coil over the rock, tracking will automatically adjust the setting and the warning tone/ID will either disappear or diminish significantly. Because there is a slight delay in tracking, you may hear a strong signal at the first one or two swings until the setting is adjusted. Then the sound will get weaker and disappear. This will not happen with metal targets because metals will prevent the device from ground balancing. Therefore, in tracking, if you are getting a constant signal over a target after repeated swings, there is a high possibility that the target is a metal. Moving from over a rock back to soil, the device may give signals to the ground for a few swings until the ground balance setting is updated again. This is normal and should not mislead you.

Tracking is not recommended to eliminate rocks under normal conditions. It is recommended for use in areas with changing soil types.

Metals Under Rocks

RACER 2 increases the possibility of detecting metal targets under mineralized rocks through the proper adjustment of your settings. The combined effect created by the rock and metal together is lower than the effect that the metal creates by itself and the displayed ID will be different than the metal's expected ID. The displayed ID is formed by the combination of rock and metal together and gets closer to the ID of the rock if the size of the metal is smaller in relation to the rock. Keep in mind that metals under hot rocks will never appear with their own metal ID. For instance, a gold piece under a brick may produce an iron tone and ID.

Remember this very simple principle as it will save you lots of time: "If the target you detect is not a stone, it can be metal".

The key to detecting targets under mineralized rocks, particularly when positive rocks are in question, is the knowledge of the maximum ID value produced by the surrounding positive rocks.

If you are performing a search in the All Metal mode, monitor the ID produced by the device. If the ID provided by your device is close to the rock and iron zone, it is quite possible that you detected a target under the rock. Since ID FILTER cannot be used in the All Metal mode, you need to discriminate by taking the value on the display into consideration.

If you filter off the rocks with a correctly adjusted ID FILTER setting in discrimination modes, you can hear the signal of the target under the rock if the target signal has a slightly greater effect than the filtered ID. The important thing here is that if you detect a target and dig out a rock, you should note the ID you got before digging and use it as the ID Filter value the next time.

For instance; the hot rocks in your search field tend to give IDs around 3-4. In this case, you should set the ID Filter to maximum 5. This way you can eliminate rocks and receive the signals of metals underneath. If you set the ID Filter too high unnecessarily, you will lose metals along with rocks.

If the hot rocks in your search area tend to give high IDs, then the chances of missing the signals of small metals underneath will be high as well.

Searching in Shallow Water and Beach

All search coils of the **RACER 2** metal detector are waterproof. This provides convenient searching in shallow water and on the beach. When searching around water, be careful not to get the system box wet.

As explained before, salt water and alkali grounds are significantly conductive and cause effects similar to iron in detectors. **RACER 2's** Beach mode is specially designed for such conditions. You can perform your search easily using the Beach mode without requiring any special settings.

Beach mode is ideal for wet beach sand. You can use the other modes while performing search over dry beach sand.

You should consider the following while performing search over wet beach sand or water:

- 1) When you swing the search coil over the holes you dig in wet beach sand, you can receive metal signals, this is a normal condition.
- 2) The search coil may give false signals when going into and coming out of the water so please try to keep the coil either in or out of the water.

Messages

Warning messages are shown on the bottom of the display during search. Messages that may appear are as follows:

Saturation

It appears on the display simultaneously with the overload alarm sounding like a siren. This happens when the search coil encounters a near surface or a very large object. The device reverts back to normal operation if you lift the coil up. If the alarm and the message continues along a long line, you may be over a long metal such as a pipe.

In case of high mineralization, the device may overload. If the cause of overloading is not a large metal, it may be the ground itself and this situation may be overcome by lowering the gain.

Pump Coil

It appears when the trigger is pushed forward for ground balancing. Does not indicate any error or problem. It only indicates what should be done.

Check Coil

It indicates an interruption in the search coil transmitter signal. The search coil connector may be unattached, loose or disconnected. If you own another detector with the same coil connector, please be sure that you have not attached the wrong coil by mistake. If none of the above exists, the search coil or its cable may have a defect. If the issue continues when you change the search coil, there may be an issue in the coil control circuit.

Technical Specifications

Operating Principle	: VLF Induction Balance
Operating Frequency	: 14 kHz (+/- 100 hz bandwidth)
Audio Frequencies	: 100 Hz - 700Hz adjustable
Search Modes	: 5 (All Metal/Two Tone/Three Tone/Beach/Deep)
Iron Audio	: Yes
Tone Break	: Yes
Notch Filter	: Yes
Ground Balance	: Automatic / Manual / Tracking
Pinpoint	: Available
Frequency Shift	: Available
Vibration	: Available
Gain Setting	: 01-99
Target ID	: 00-99
Search Coil	: 28.5cm x 18cm (11" x 7") DD
Display	: Custom LCD
Weight	: 1.4 kg (3 lbs.) including search coil and batteries
Length	: 120cm - 140cm (47" - 55 ") adjustable
Battery	: 4 x AA Alkaline
Warranty	: 2 years

Nokta & Makro Detectors reserves the right to change the design, specifications or accessories without notice and without any obligation or liability whatsoever.

Nokta | MAKRO
DETECTION TECHNOLOGIES

www.noktadetectors.com